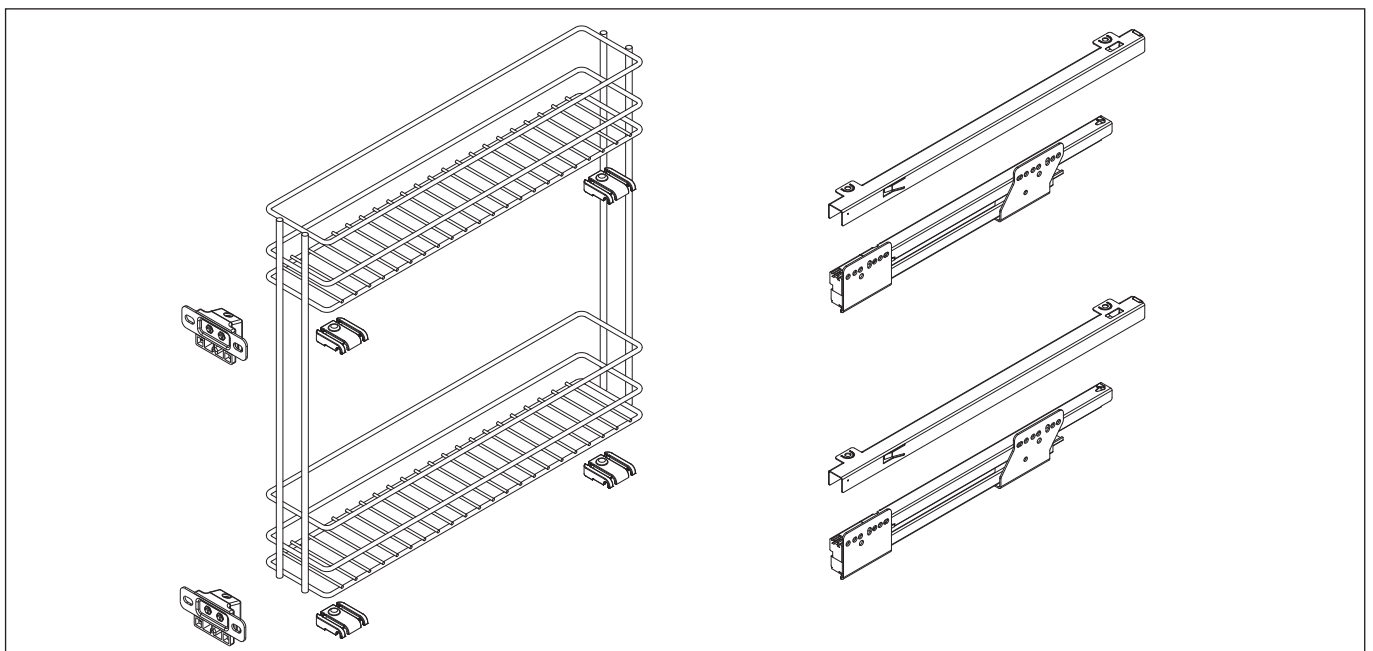
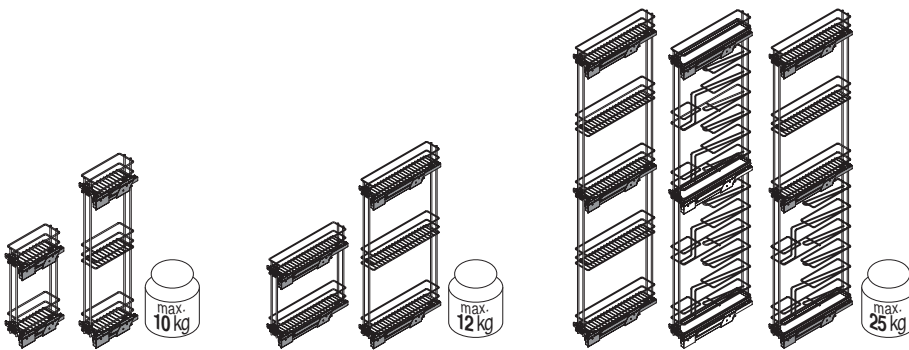
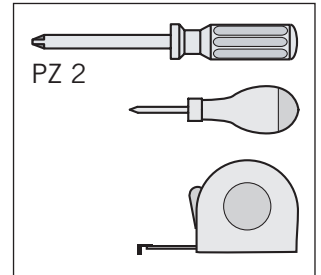
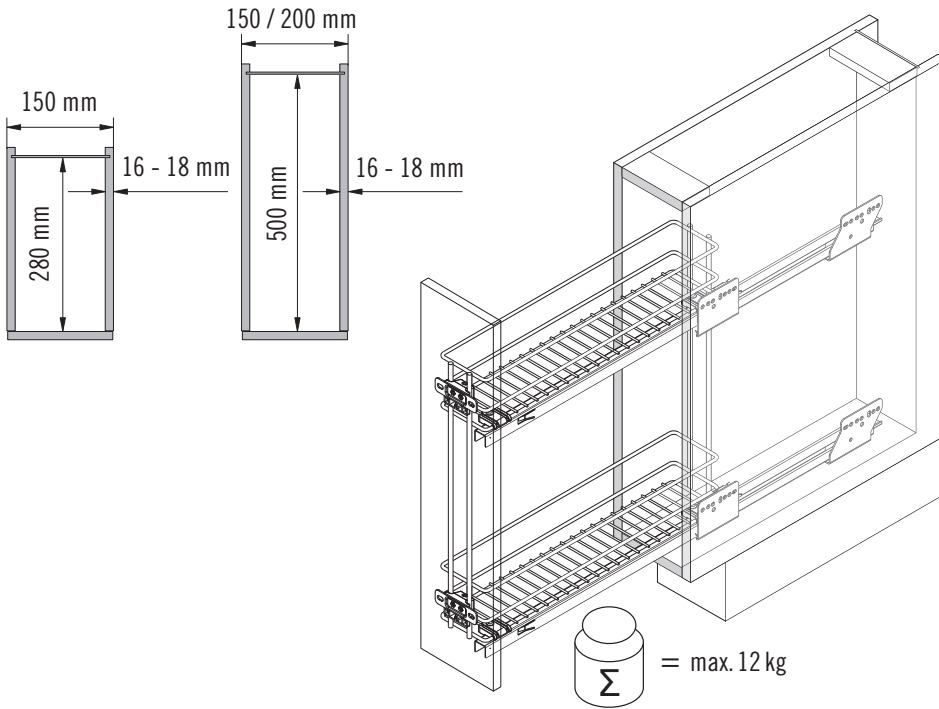


07 / 2019

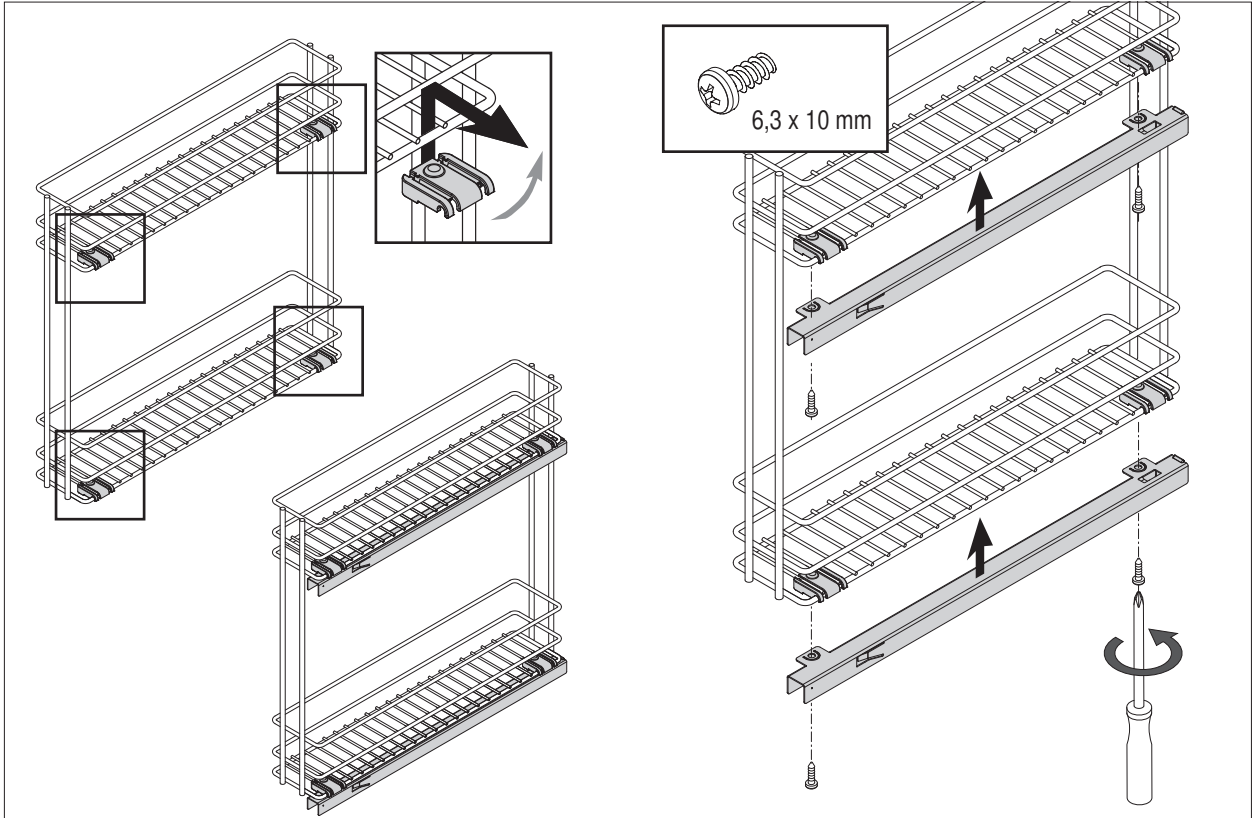


VS TAL[®] Rack 15 20

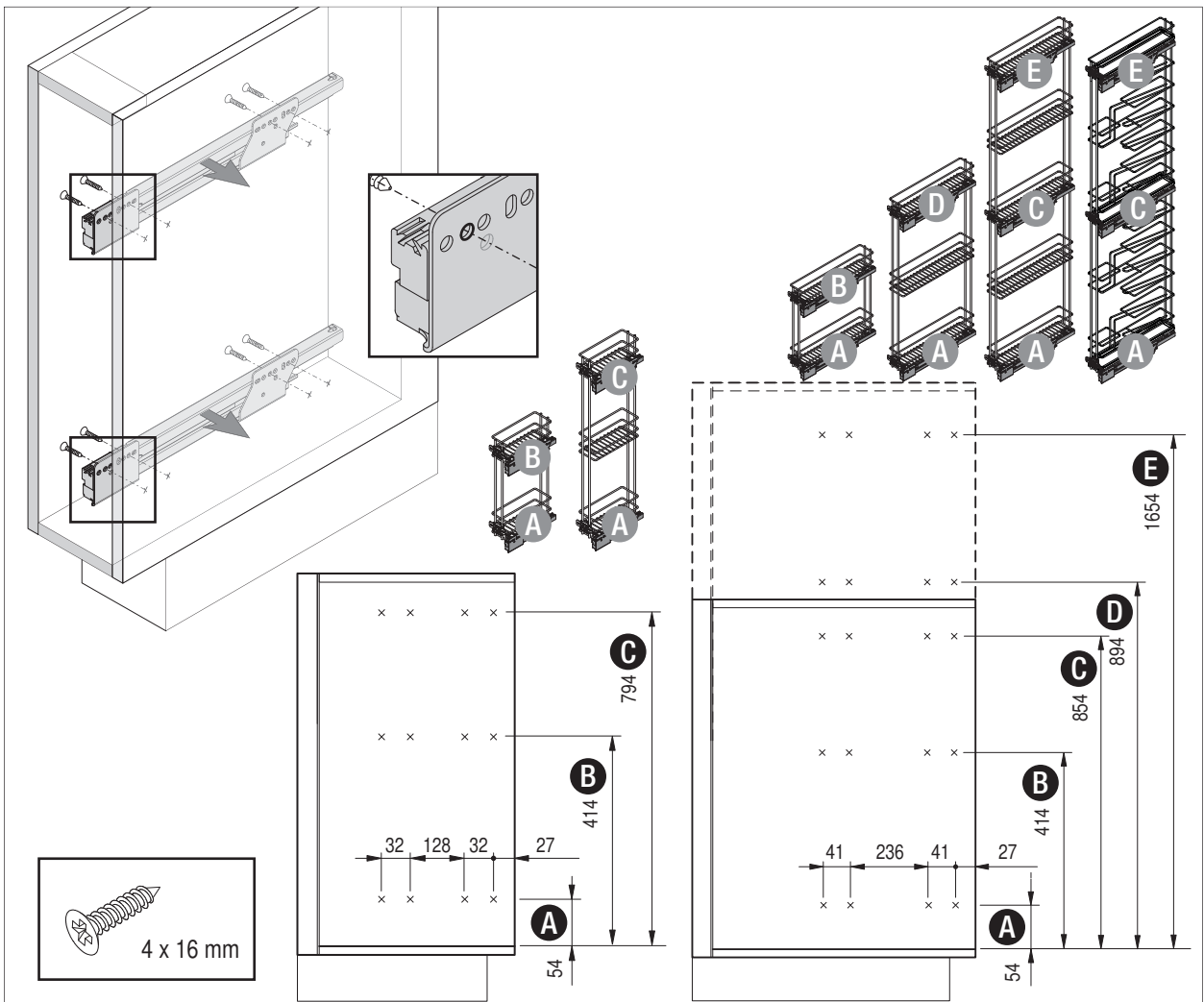
VS SUB[®] Rack 15 20



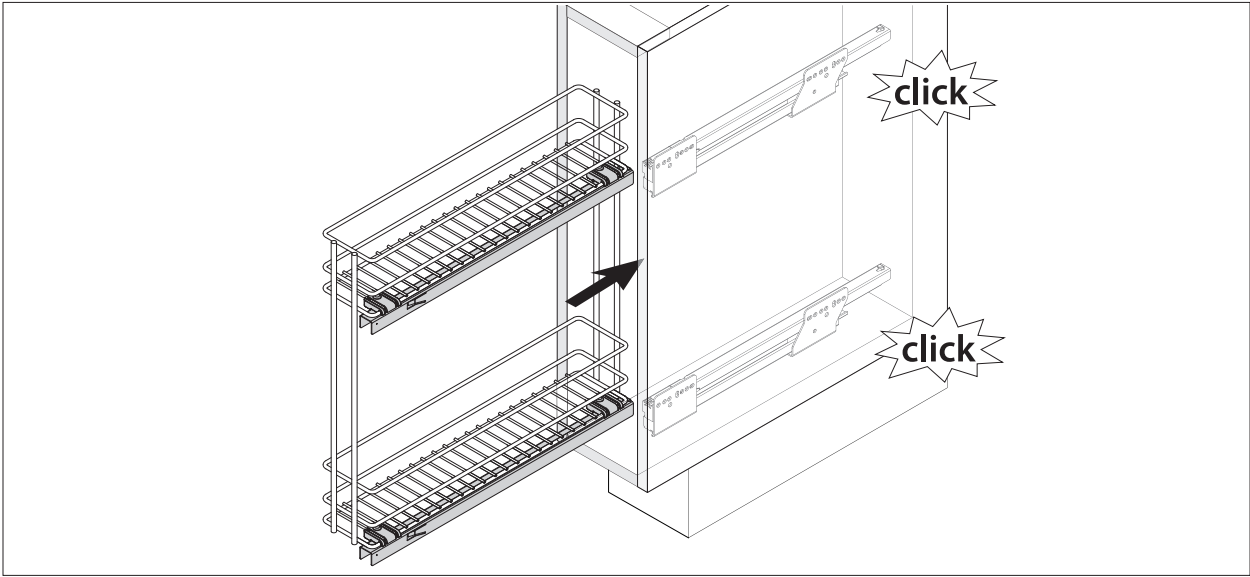
1



2



3



4

4,5 x 16 mm

837

457

25

64

97

937

897

457

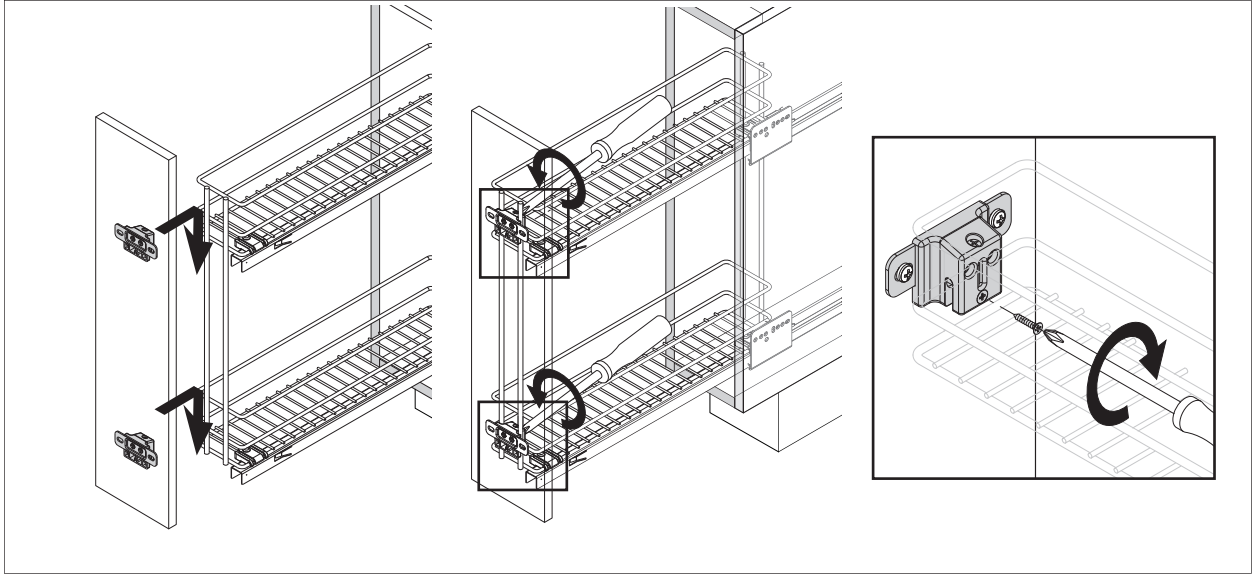
64

97

1697

	K150	K200
Y	25	50

5



6

